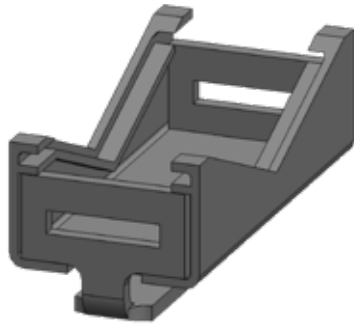


SIGNFIX®



SX0220-100
Universal Channel Clamp

SIGNFIX® Modular Sign Support Systems

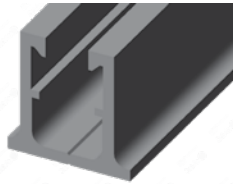
SIGNFIX® is recognized by sign fabricators as a quicker, easier and cost effective method to mount all sizes of signs to any size or shape of pole.

Universal Channel Clamp

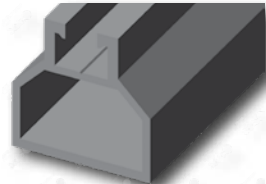
- Compatible with all SIGNFIX® Channel Extrusions
- During installation, the assembly becomes fully adjustable to any size or style sign post when used with BAND-IT® Band and Buckle or Ultra-Lok® Free End System
- Package Quantity 100
- Accepts up to 3/4" band double wrapped

Support Channel Extrusions

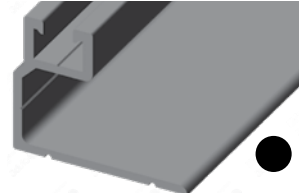
For mounting and stiffening any size sign. SIGNFIX® Channel Extrusions have identical configurations allowing the use of all SIGNFIX® hardware with any extrusion.



SX0073-20 Medium
Channel Extrusion



SX0130-6 Large
Channel Extrusion



SX0090-8 Large Corner Angle
Channel Extrusion